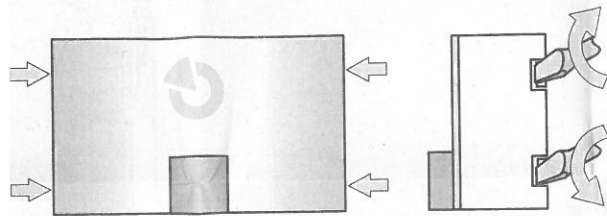


JA-111I Universal optical indicator

The JA-111I is a component of the JABLOTRON JA-100 system. It is used for the optical indication of status. The colour of indication can be determined by connecting its terminals. The indicator also enables the dual-colour indication of an associated output module (e.g. red / green).

The indicator should be installed by a trained technician with a valid certificate issued by an authorized distributor.

Installation



- Open the indicator cover by loosening the four tabs by twisting them in the direction indicated by the arrows using a suitable screwdriver.
- Remove the board from the base by pressing the tab (1).

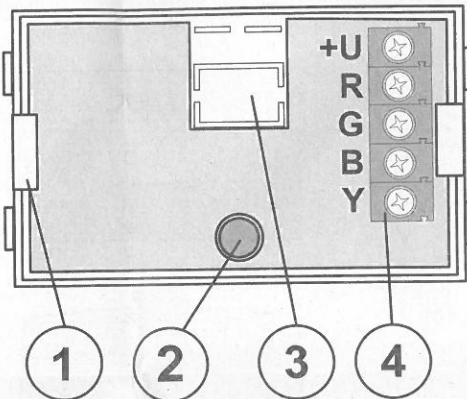


Figure: 1 – board tab; 2 – indicator LED; 3 – punchable opening for the cable; 4 – terminal board

- Push the cable from the PG output module through the hole (3) punched in the base and attach the base to the selected place.
- Push the indicator board back in place.
- Connect the cable to the terminals (4) depending on the colour selected for the LED indication (2) – see the following table:

Terminal	Connection
+U	to +12V power supply
R	LED lights red when grounded
G	LED lights green when grounded
B	LED lights blue when grounded
Y	LED lights yellow when grounded

- When you have switched the system on, test the functioning of the indicator.
- Reinsert the indicator cover.

Function

The indicator has been designed for indication both inside and outside the guarded area. If installed outside the guarded area, the power supply connected to the +U terminal (using an extension to the system bus), must be protected against short-circuits - e.g. by means of a JA-110T bus insulator.

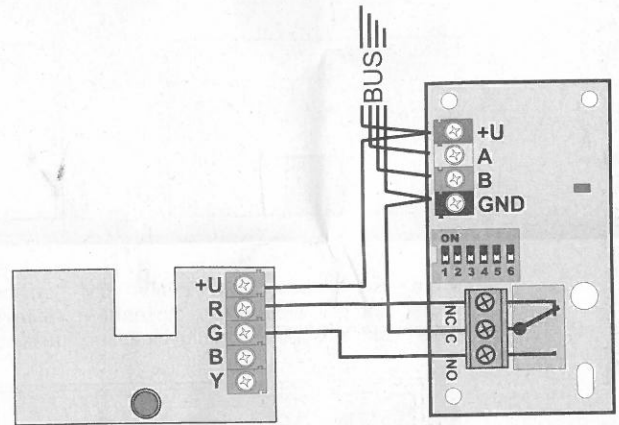


Figure: example of a connection enabling dual-colour indication of the PG output status

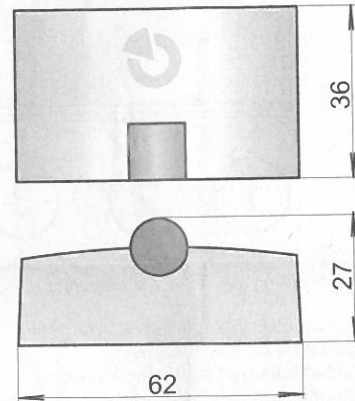


Figure: the JA-111I indicator dimensions.

Technical specifications

Power	12 V (9 ... 15 V)
Standby power consumption (LED on / off)	5 mA / 0 mA
Current consumption for cable selection	5 mA
Dimensions	62 x 36 x 27 mm,
Operational environment according to EN 50131-1 II. Indoor general	
Operational temperature range	-10°C to 40°C



Note: Although this product does not contain any harmful materials we suggest you return the product to the dealer or directly to the producer after use. For more detailed information visit www.jablotron.com.